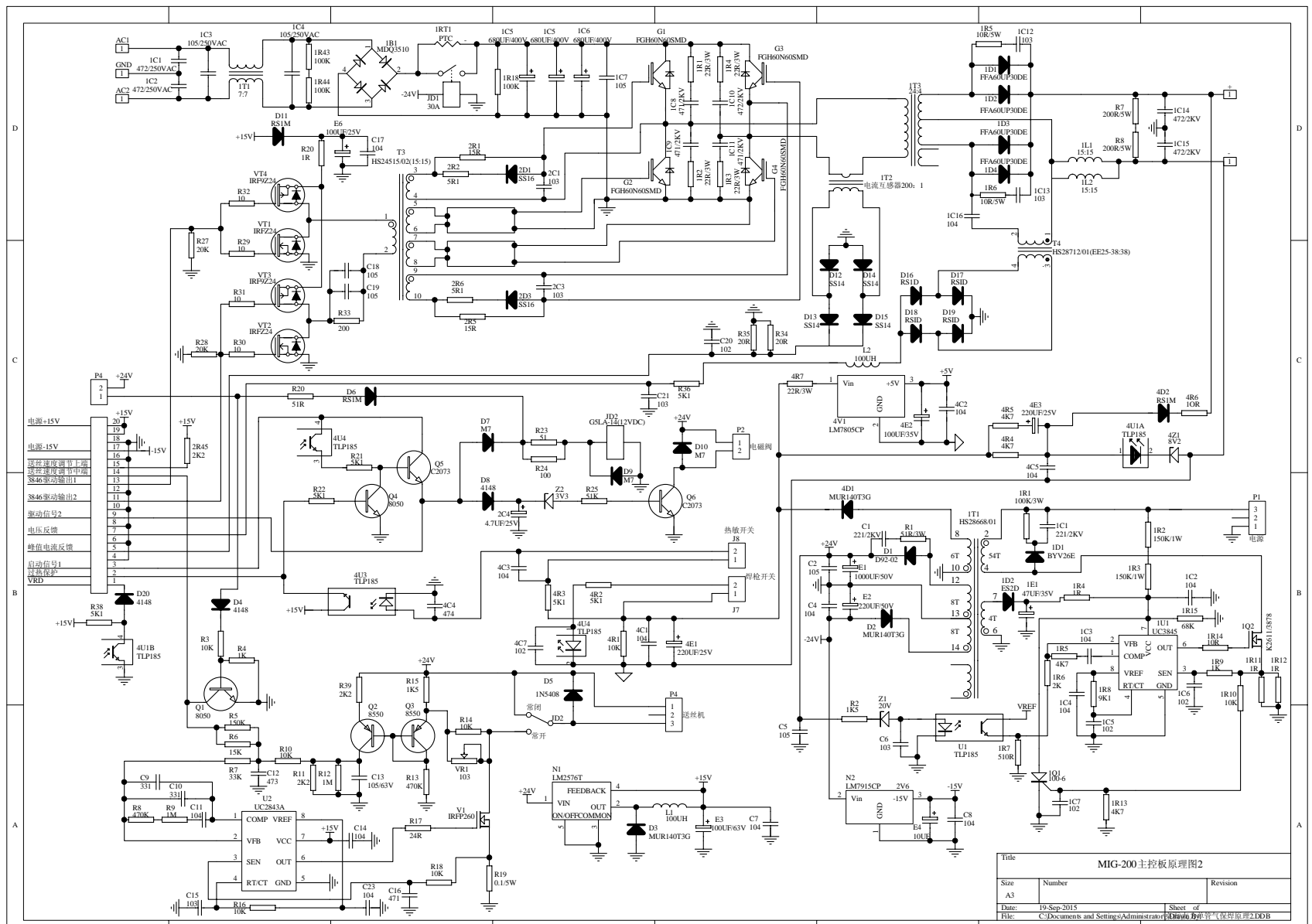


File:			
Size:	Number:		Revision:
A2			
Date:	2020-2011	Sheet:	of
File:	C:\Documents and Settings\Administrator\Drawings\Bsp-11112111.dwg	Sheet:	of



Title			MIG-200主控板原理图2		
Size	Number	Revision			
A3					
Date:	19-Sep-2015	Sheet of		3	
File:	C:\Documents and Settings\Administrator\Drawings\电气原理图2.DWG	Drawn By: 管气			